

## MOUNTING INSTRUCTIONS

**07013-05**

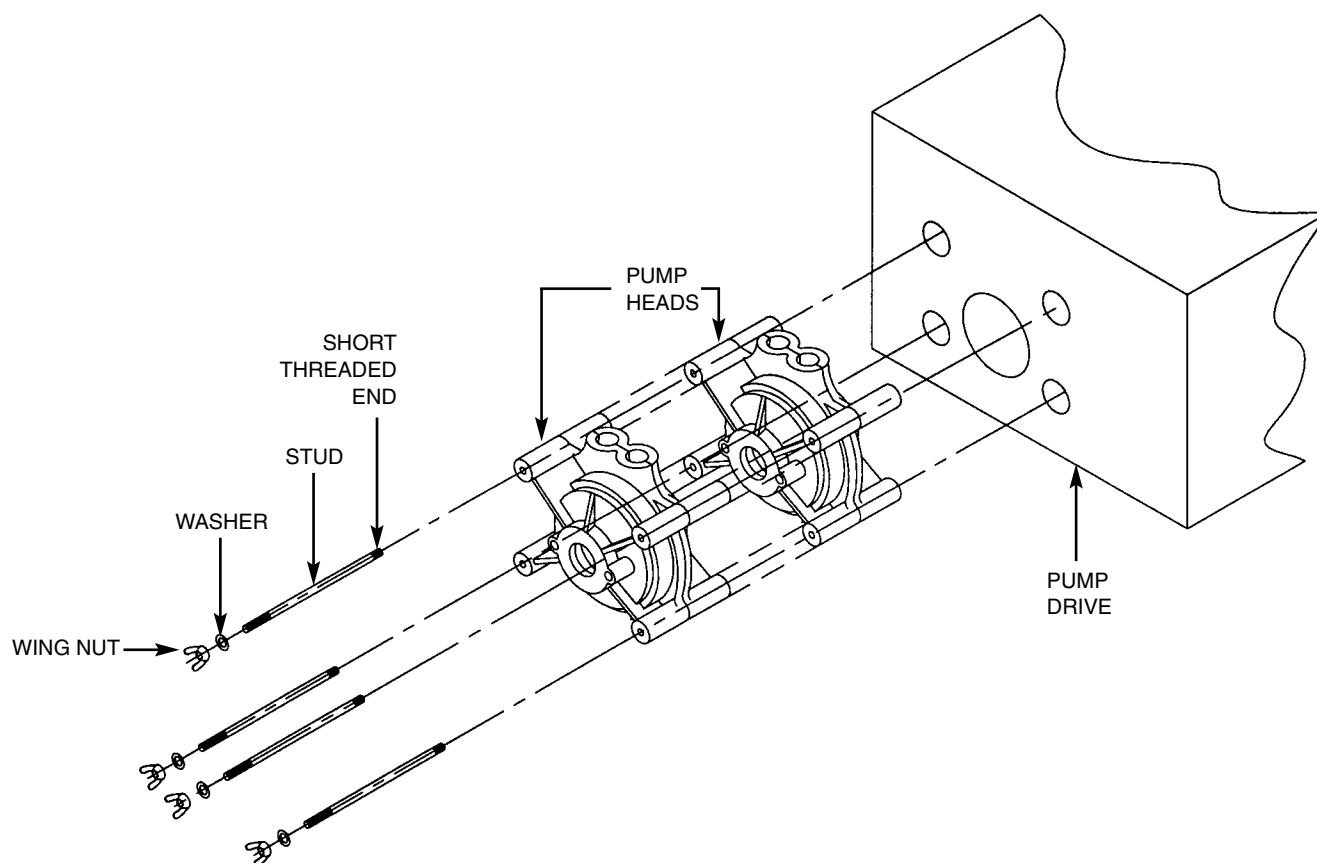
Mounting Instructions for two MASTERFLEX® L/S® STANDARD and L/S® EASY-LOAD® PUMP HEADS.

**Use only MASTERFLEX precision tubing with MASTERFLEX Pumps to ensure optimum performance. Use of other tubing may void applicable warranties.**

Mounting Kit Catalog No.	Number of Pump Heads	Description
07013-05	2	Stainless steel mounting hardware

### Assembly Instructions:

- 1) Install studs into pump drive (short threaded end into drive).
- 2) Slide the pumps into place on the studs.  
Note: Install tubing into MASTERFLEX® L/S® Standard Pumps (before mounting).
- 3) Install washers and wing nuts onto studs and hand-tighten.



Trademarks bearing the ® symbol in this publication are registered in the U.S. and in other countries.

Printed in U.S.A.  
051201

A-1299-0556  
Edition 05